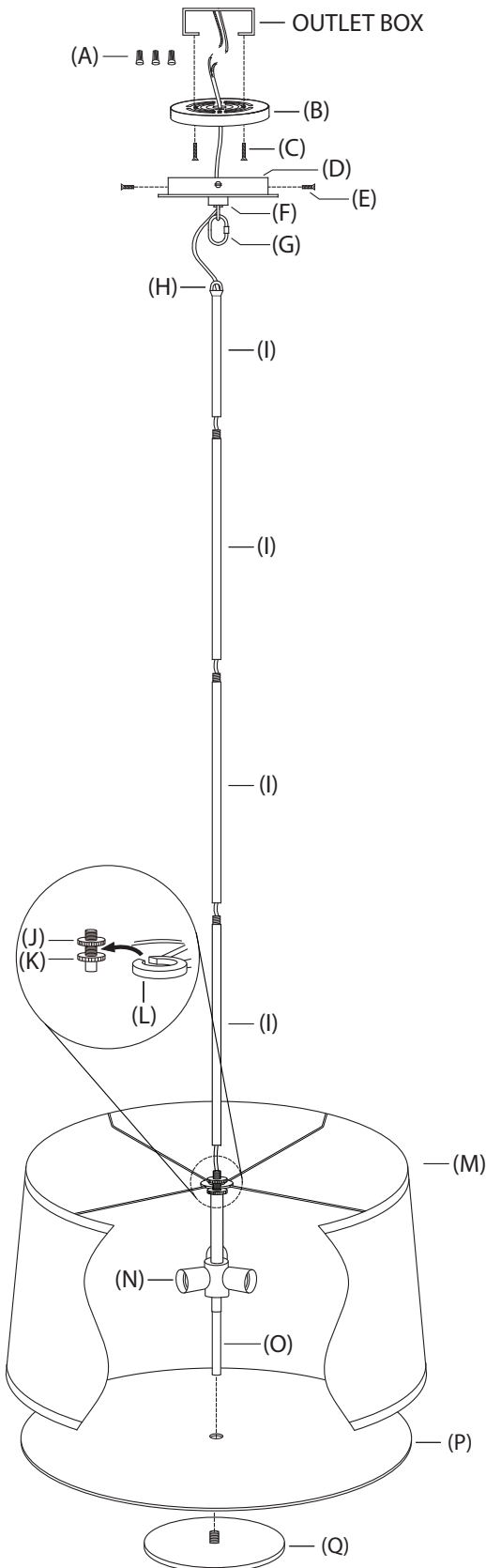


ASSEMBLY INSTRUCTIONS FOR YOUR ECHO PENDANT



IMPORTANT SAFETY INSTRUCTIONS:

- *These instructions are provided for your safety. It is very important that they are read completely before beginning the installation of your fixture.
- ***WE STRONGLY RECOMMEND INSTALLATION BY A LICENSED ELECTRICIAN.**
- *Turn off power at switch before replacing bulbs, making sure fixture has had sufficient time to cool down.
- ***DO NOT** subject the fixture to any shock while lit as shattering of bulbs may result.

ASSEMBLY INSTRUCTIONS:

1. SHUT OFF THE MAIN ELECTRICAL SUPPLY AT FUSE BOX/ CIRCUIT BREAKER.
2. Remove all parts from carton. Do not throw away any parts.
3. Remove mounting plate (B) from canopy (D) by removing canopy screws (E). Set canopy screws (E) aside.
4. Affix mounting plate (B) to ceiling outlet box with mounting plate screws (C), provided.
5. Measure desired drop for fixture to hang and add/remove extension tubes (I) as needed. Guide wiring through extension tubes before threading tubes together.
TO ADD/REMOVE EXTENSIONS: (Un)Thread the threaded nipple of one extension into the threaded opening of the next extension. Make sure wiring is pulled tight when threading extensions together to prevent damage to the wire**
6. Connect hang straight (F) and loop (H) with quick link (G).
7. Thread bottom extension tube (I) onto the threaded nipple above shade washer (J).
8. Guide wiring from top extension (I) through loop (H), quick link (G) and hang straight (F), exiting canopy (D). Lift canopy (D) to ceiling outlet box.
9. Make proper electrical connections described in steps 10 - 12. A LICENSED ELECTRICIAN IS RECOMMENDED.
10. Attach ground wire from fixture (green or silver in color) to ground wire from outlet box. Fasten wires together with wire nut (A) and tightly wrap connection with electrical tape.
11. Attach hot wire from fixture (black in color or smooth side of wire) to hot wire from outlet box. Fasten wires together with wire nut (A) and tightly wrap connection with electrical tape.
12. Attach neutral wire from fixture (white in color or ribbed side of wire) to neutral wire from outlet box. Fasten wires together with wire nut (A) and tightly wrap connection with electrical tape.
13. Carefully push wire connections back into ceiling outlet box.
14. Place canopy (D) over mounting plate (B). Thread canopy screws (E) into holes in canopy (D), and mounting plate (B) to secure fixture to ceiling.
15. Lift shade (M) over bottom section of fixture. Slide split washer (L) between shade washer (J) and shade washer (K). Secure position of shade (M) by turning shade washer (J) clockwise until it rests firmly against split washer (L).
16. Install three (3) 100W MAX Type A, medium base bulbs into sockets (N).
17. Lift diffuser (P) to tube (O). Pass threaded nipple on plate (Q) through hole in center of diffuser (P), into tube (O). Turn until hand tight.

To clean, use soft cloth only. Do not use any chemical or abrasive cleaners.