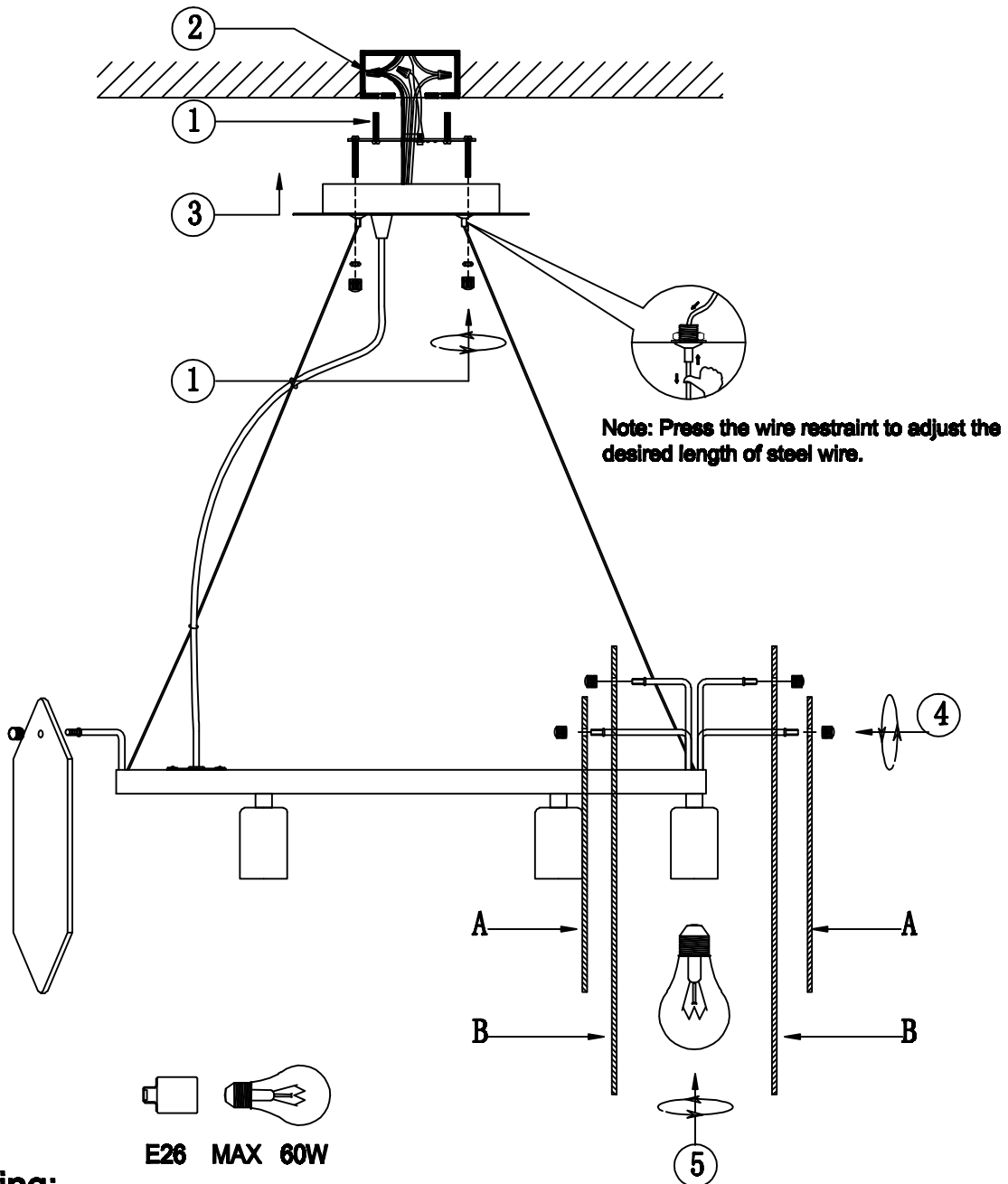


ZEEV™ LIGHTING

INSTALLATION INSTRUCTION FOR CD10097/8/CH-ABF

WARNING! SHUT POWER OFF AT FUSE OR CIRCUIT BREAKER.

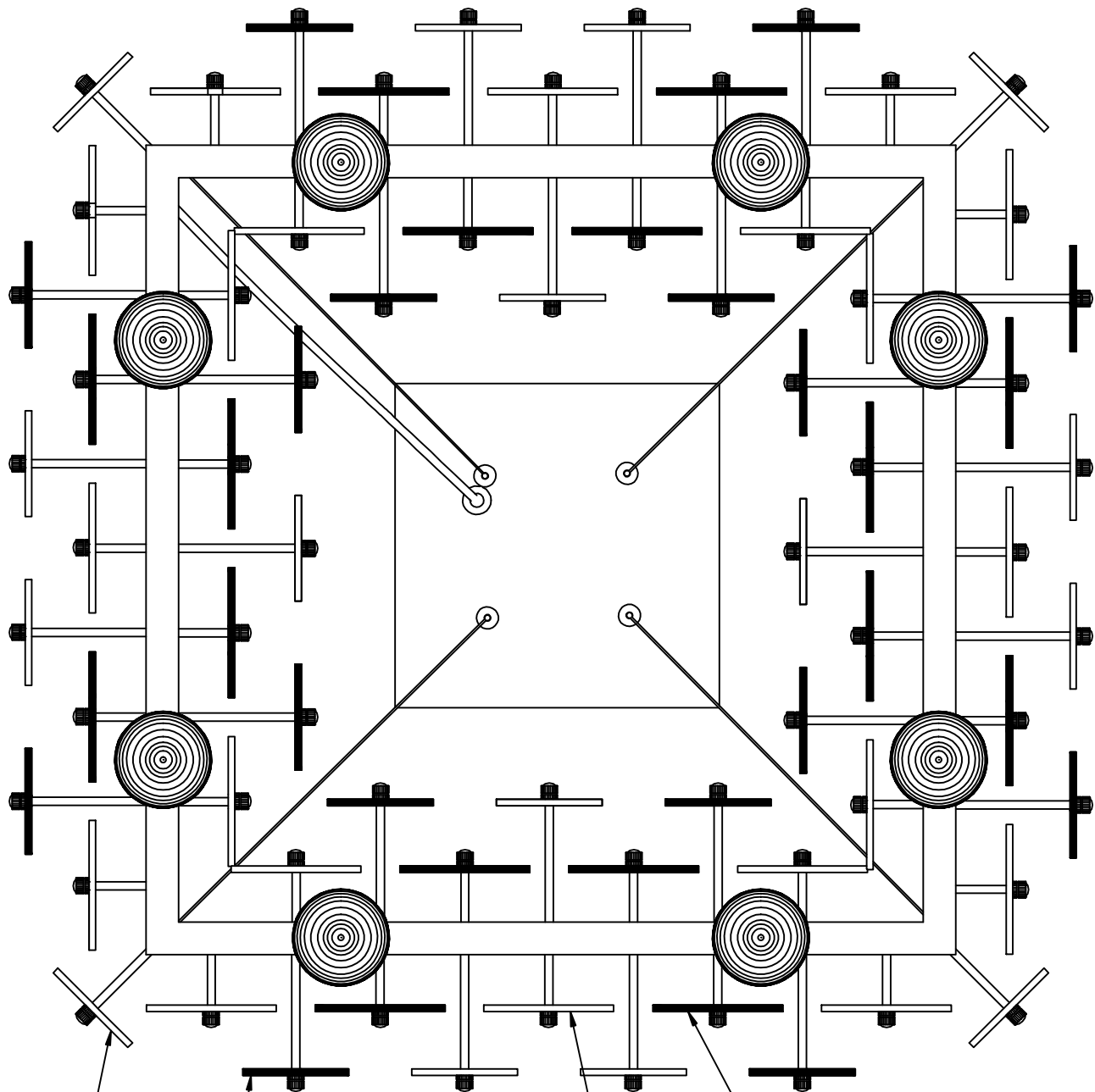


Warning:

1. Turn off the main power at the circuit breaker before installing the lamp in order to prevent possible shock.
2. Please wear gloves when installing the lamp.
3. Wipe clean using a soft cloth.
4. The lamp is made of glass, install carefully.

CAUTION:

Use  this wrench when nut is loose.



A1 (Frosted) 16pcs
 A2 (Amber) 16pcs

B1 (Frosted) 20pcs
 B2 (Amber) 16pcs